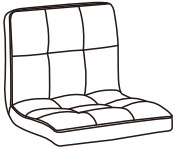



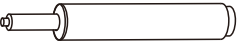
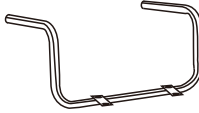


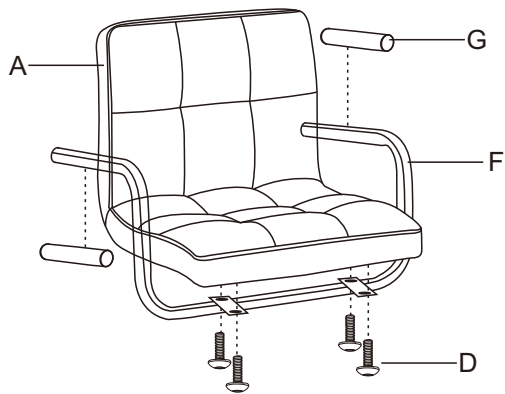


Assembly Instruction

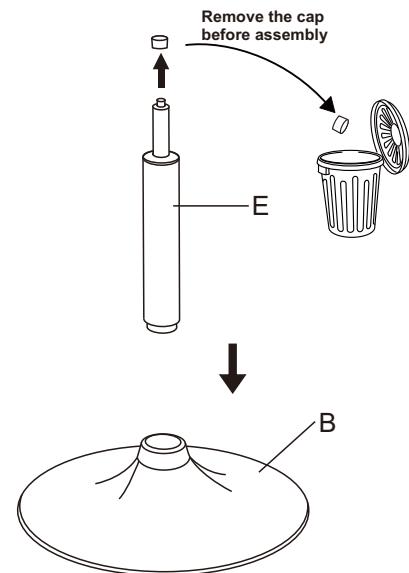
Item No.: F1557,F1558,F1567,F1568

| parts | Ax1 | Bx1 | Cx1 | Dx8 |
|-------|---|--|--|--|
| |  Seat |  Collet |  Conjoined pallet |  M6x3/4" Screw |
| |  Gas Lift |  Armrest |  Armrest cover |  5# Spanner |

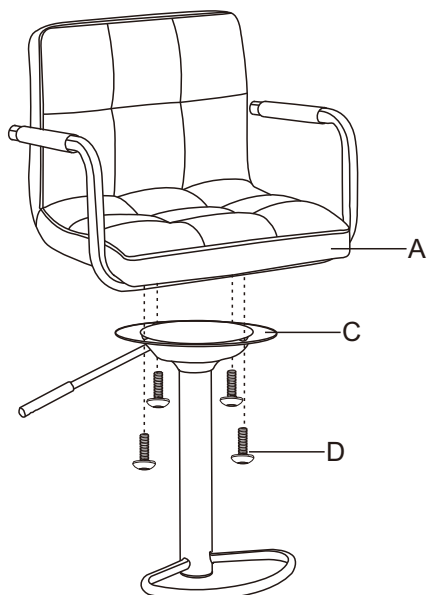
1



2



3



4

