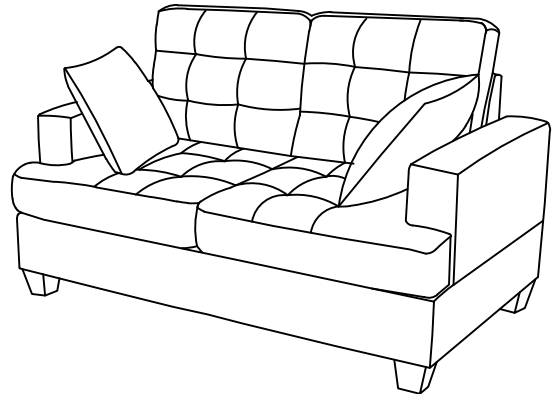
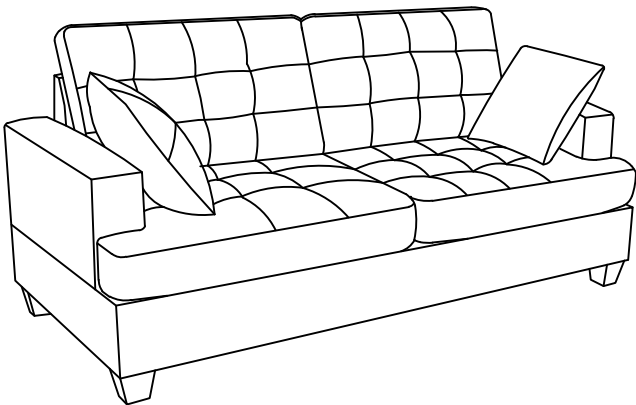
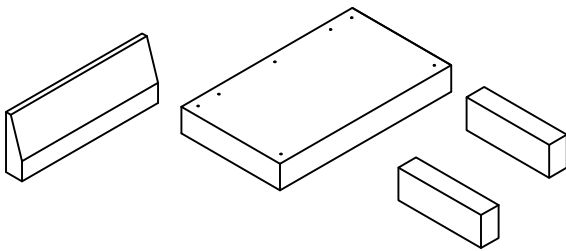


ASSEMBLY INSTRUCTION

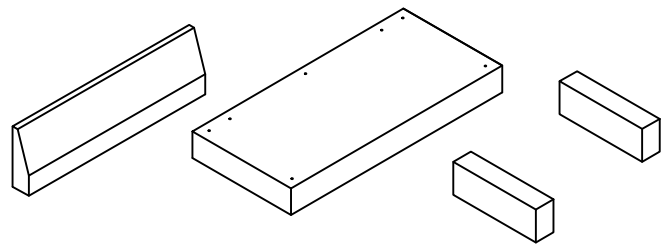
ITEM NO.: **F6501,F6502,F6503**







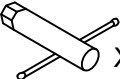

PART LIST

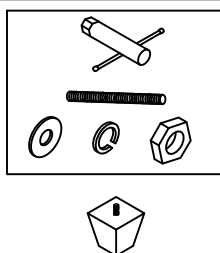
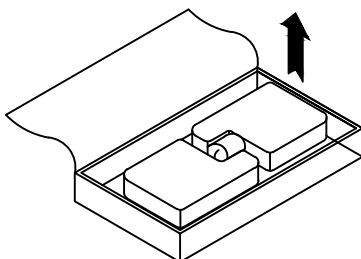


*Cushions,pillows and legs included



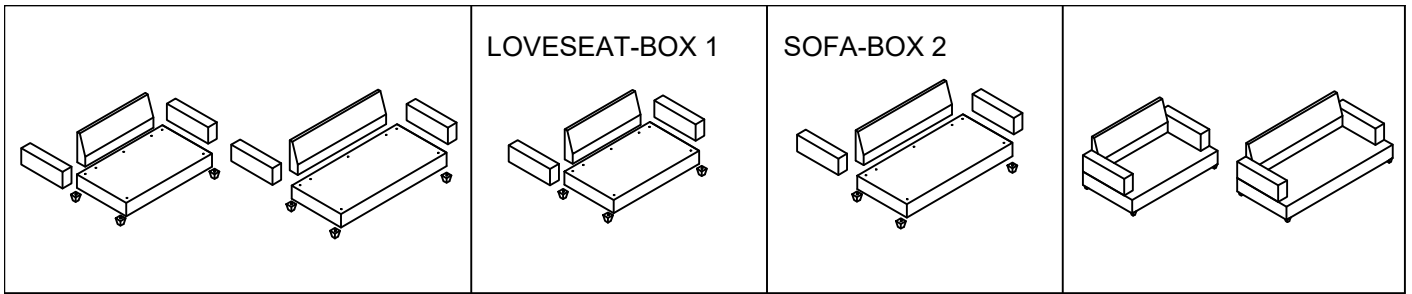
*Cushions,pillows and legs included

| | | | | | |
|---|--|---|--|---|--|
| 1 |  X 14 | 2 |  X 14 | 3 |  X 14 |
| 4 |  X 14 | 5 |  X 2 | 6 |  X 8 |



Open up the Velcro of Non-Woven Fabric cover on the bottom of the seat frame to remove seat cushions,back cushions and pillows.

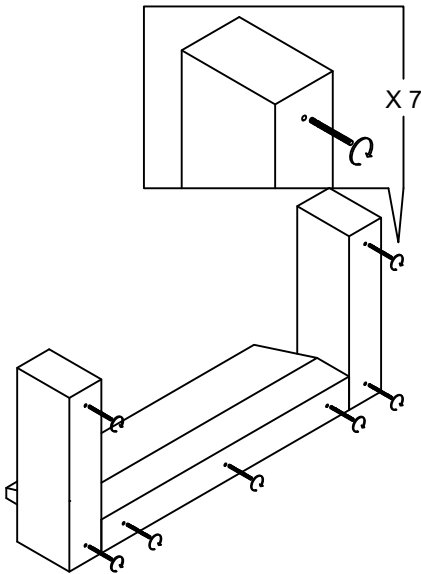
*** PLEASE REMOVE ALL PARTS FROM SEAT FRAMES AND BACKS BEFORE ASSEMBLY***



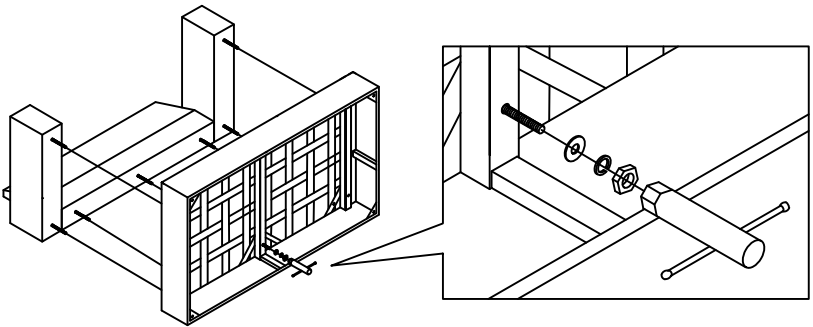
LOVESEAT ASSEMBLY INSTRUCTION-BOX 1

STEP 1- INSERT THREADED RODS INTO SEAT BACKS & ARM

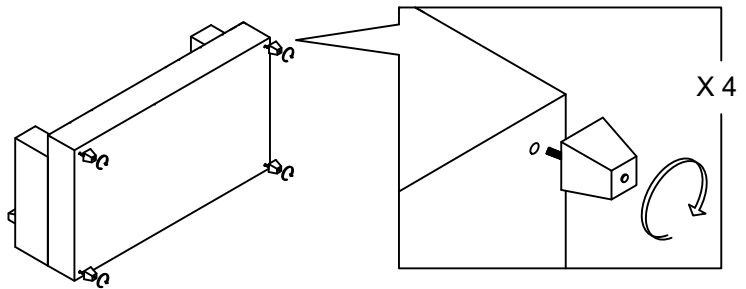
Shorter end of the threaded screw going into the back panel



STEP 2- MOUNT SEAT BACK & ARM INTO THE SEAT FRAME.

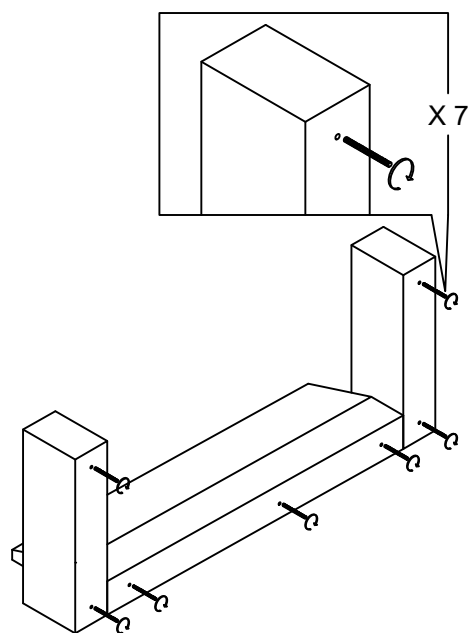


STEP 3- PUT BACK THE FABRIC COVER AND INSERT THE LEGS.



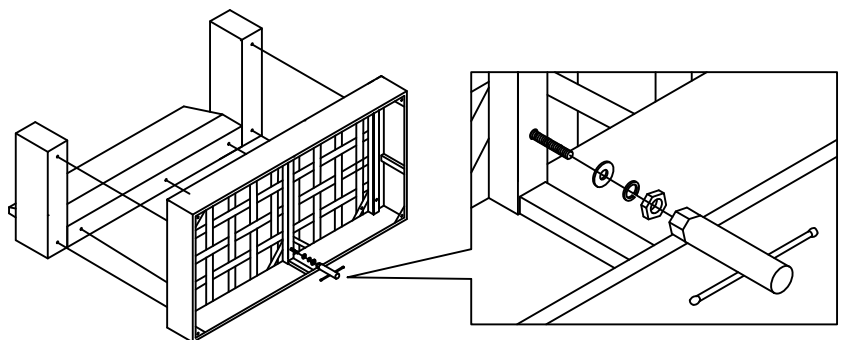
SOFA ASSEMBLY INSTRUCTION-BOX 2

STEP 1- INSERT THREADED RODS INTO SEAT BACKS & ARM



Shorter end of the threaded screw going into the back panel

STEP 2- MOUNT SEAT BACK & ARM INTO THE SEAT FRAME.



STEP 3- PUT BACK THE FABRIC COVER AND INSERT THE LEGS.

