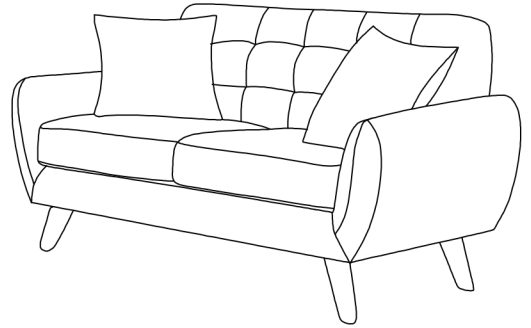
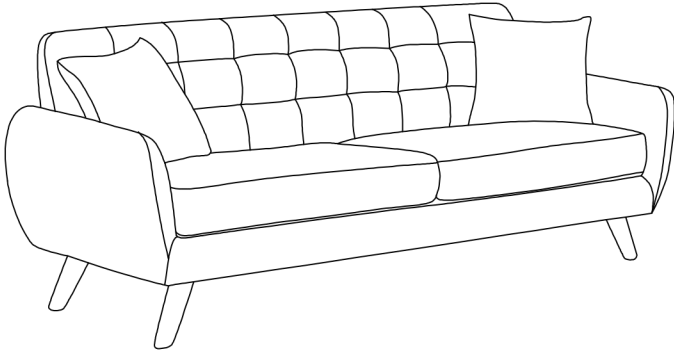
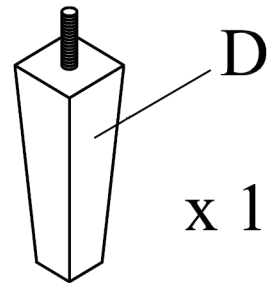
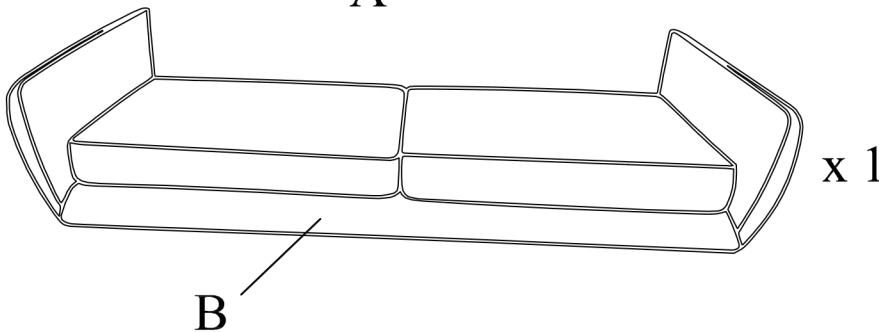
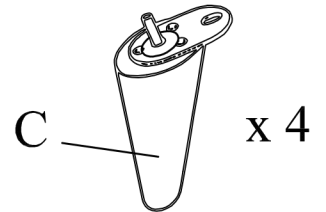
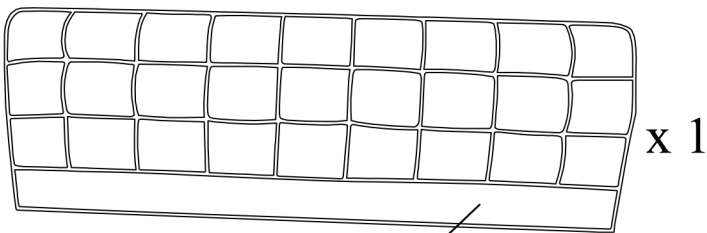


Assembly Instruction




Item No.: F6912, F6913, F6914



PART LIST



HARDWARE LIST

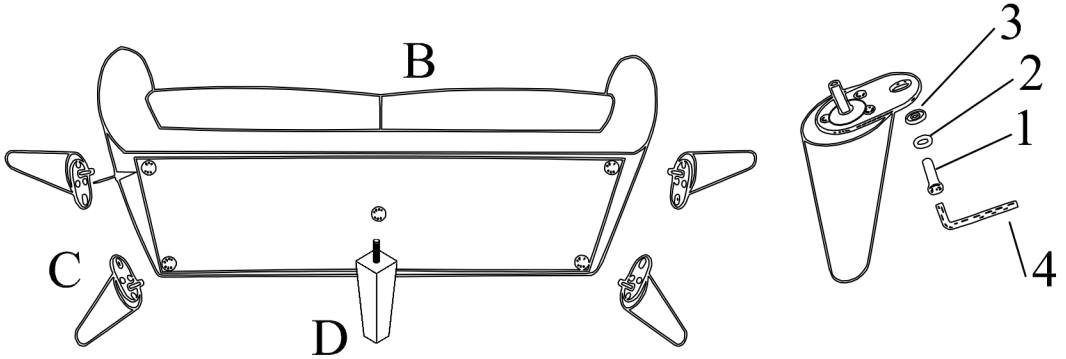
<p>①  x 4 Bolt 5/16" * 30mm</p>	<p>②  x 4 Lock Washer Ø5/16"</p>	<p>③  x 4 Flat Washer Ø5/16"</p>
--	---	---

<p>④ Allen Wrench M4</p>	 x 1
------------------------------	---

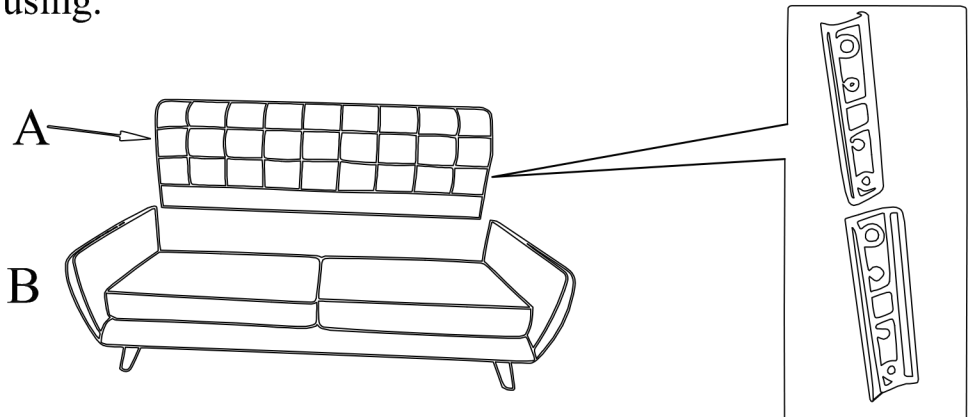


Please follow the drawings below to assemble this item.

Step 1. Take out the legs from the inner box, and then rotate / tighten into the position at bottom of the loveseat/sofa as shown in below drawings.



Step 2. Align female brackets with the male one at the back & seat. And then insert / push the whole backrest to the seat. Make sure the brackets are secured in position before using.



Step 3. Completed

