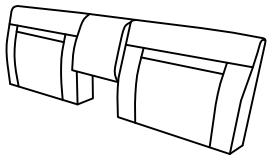
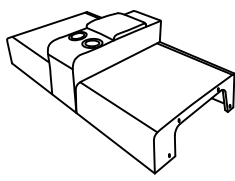

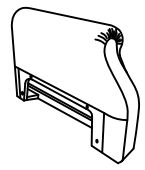
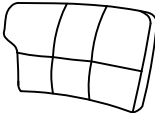
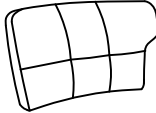
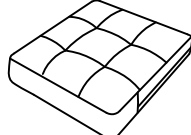
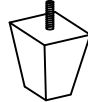







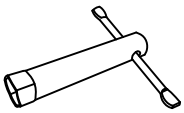

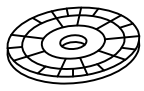
**Model:** F6411 / F6412 / F6413 ( LOVESEAT )

# ASSEMBLY INSTRUCTIONS

## Parts list:

<b>A</b> BACK FRAME (1 PC) 	<b>B</b> SEAT FRAME (1 PC) 	<b>C</b> LEFT ARM FRAME (1 PC) 	<b>D</b> RIGHT ARM FRAME (1 PC) 	
<b>E</b> LEFT BACK CUSHION (1 PC) 	<b>F</b> RIGHT BACK CUSHION (1 PC) 	<b>G</b> SEAT CUSHION (2 PCS) 	<b>H</b> LEGS (4 PCS) 	<b>I</b> PILLOW (2 PCS) 

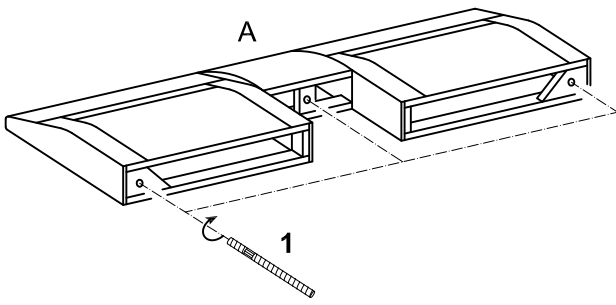
## Hardware package:

<b>1</b> THREADED RODS (11 PCS) 	<b>2</b> HEXAGON NUTS (11 PCS+1PC SPARE) 	<b>3</b> LOCK WASHERS (11 PCS+1PC SPARE) 	<b>4</b> FLAT WASHERS (11 PCS+1PC SPARE) 
<b>5</b> WRENCH (1PC) 	<b>6</b> PLASTIC CAPS (4 PCS) 	<b>7</b> PLASTIC GASKETS (4PCS) 	

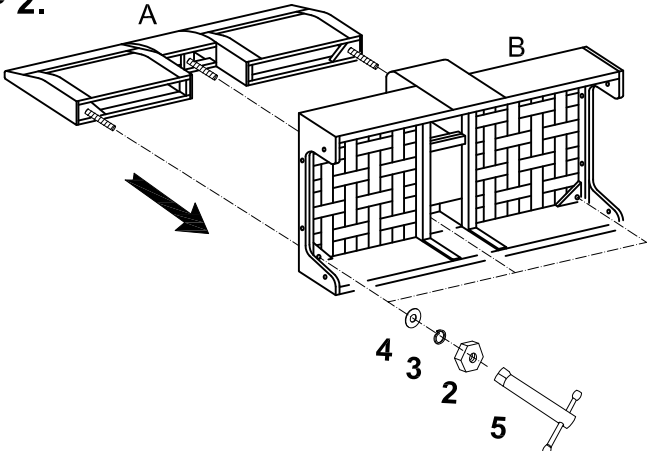
## How to assemble:

**STEP 1:**

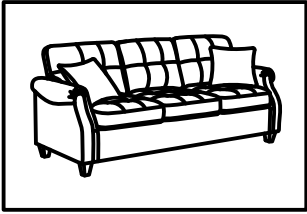
NOTE: Stop when the rod starts coming out on the other end



**STEP 2:**



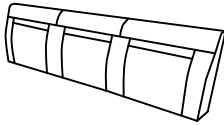
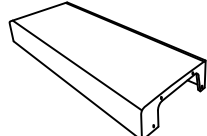

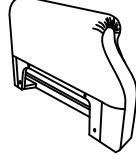
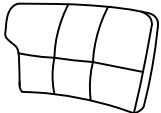
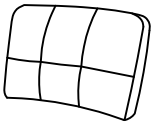
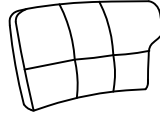
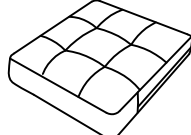
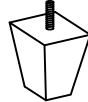









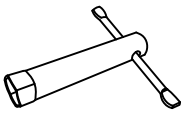

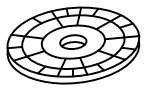
**Model:** F6411 / F6412 / F6413 (SOFA)

# ASSEMBLY INSTRUCTIONS

## Parts list:

<b>A</b> BACK FRAME (1 PC) 	<b>B</b> SEAT FRAME (1 PC) 	<b>C</b> LEFT ARM FRAME (1 PC) 	<b>D</b> RIGHT ARM FRAME (1 PC) 	<b>E</b> LEFT BACK CUSHION (1 PC) 
<b>F</b> MIDDLE BACK CUSHION (1 PC) 	<b>G</b> RIGHT BACK CUSHION (1 PC) 	<b>H</b> SEAT CUSHION (3 PCS) 	<b>I</b> LEGS (4 PCS) 	<b>J</b> PILLOW (2 PCS) 

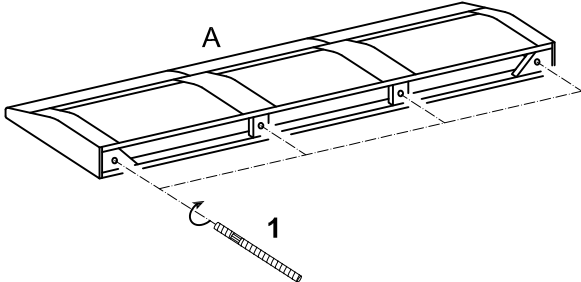
## Hardware package:

<b>1</b> THREADED RODS (12 PCS) 	<b>2</b> HEXAGON NUTS (12 PCS+1PC SPARE) 	<b>3</b> LOCK WASHERS (12 PCS+1PC SPARE) 	<b>4</b> FLAT WASHERS (12 PCS+1PC SPARE) 
<b>5</b> WRENCH (1PC) 	<b>6</b> PLASTIC CAPS (4 PCS) 	<b>7</b> PLASTIC GASKETS (4PCS) 	

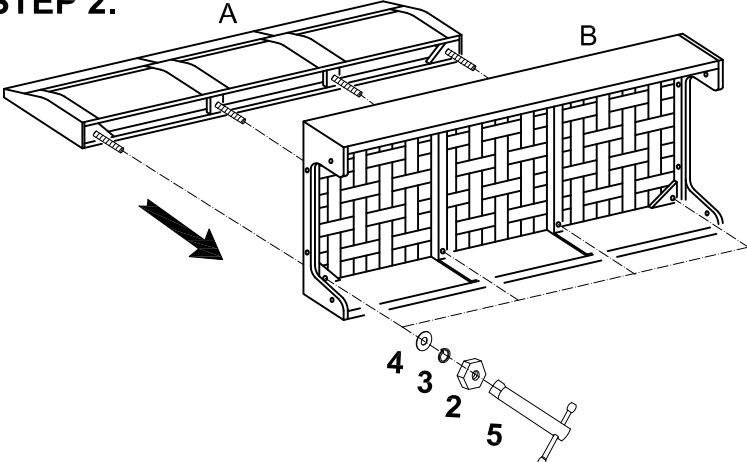
## How to assemble:

**STEP 1:**

NOTE: Stop when the rod starts coming out on the other end

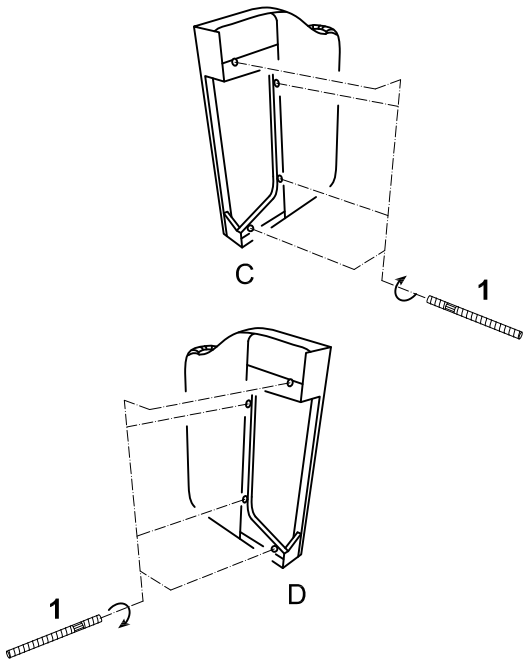


**STEP 2:**

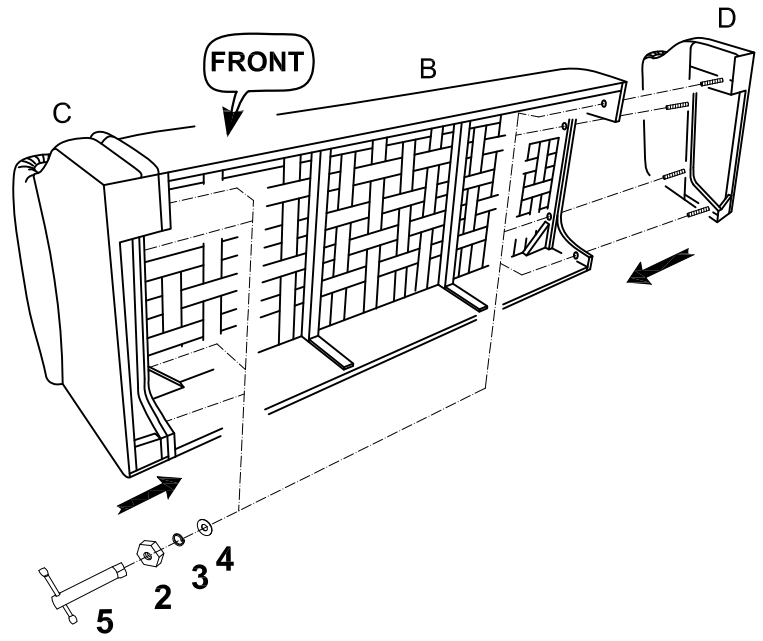


**STEP 3:**

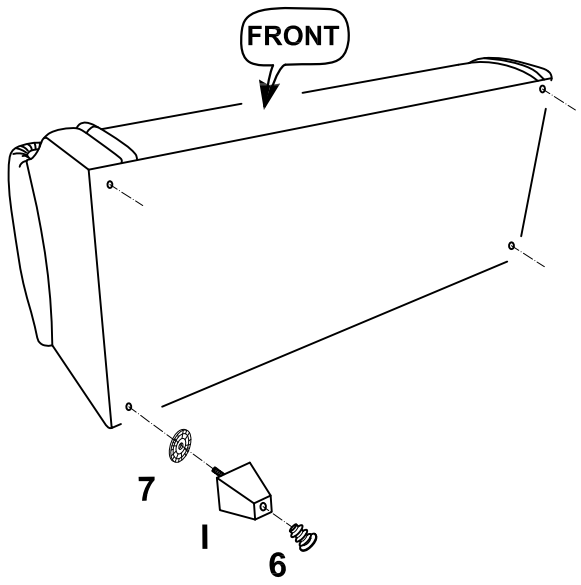
NOTE: Stop when the rod starts coming out on the other end



**STEP 4:**



**STEP 5:**



**STEP 6:**

