

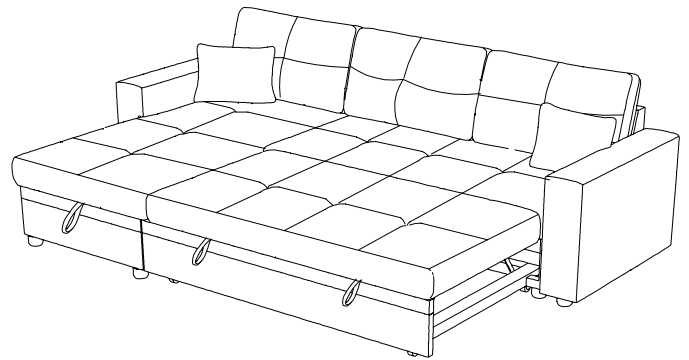
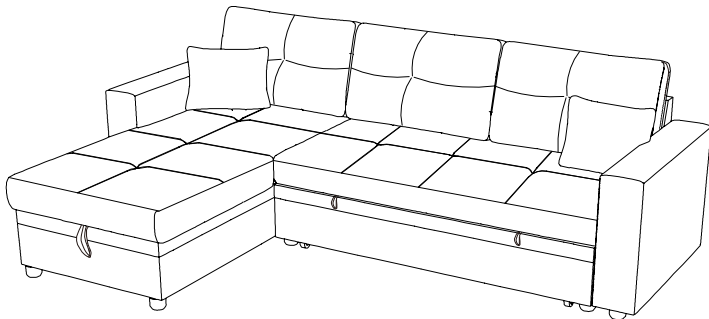
ASSEMBLY INSTRUCTIONS

F8542

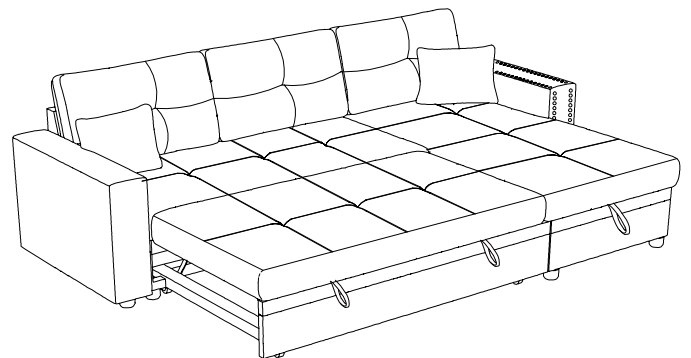
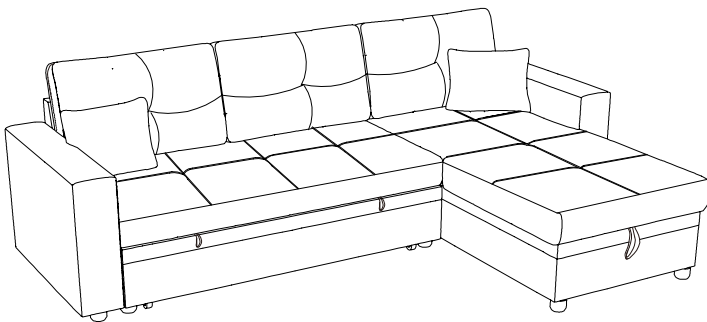
NOTICE BEFORE ASSEMBLY

Please choose the CHAISE to be on the LEFT or RIGHT hand side

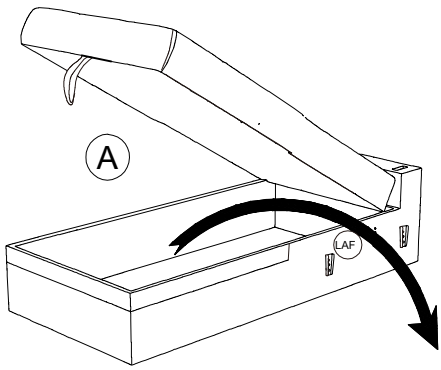
CHAISE ON THE LEFT GO TO PAGE 2 & 3



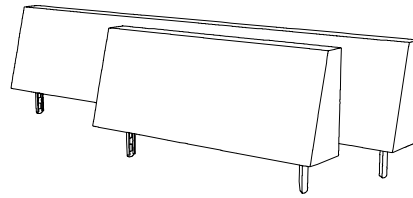
CHAISE ON THE RIGHT GO TO PAGE 2 & 4



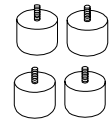
BOX-1



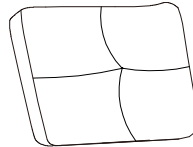
A. CHAISE BASE x 1 PC



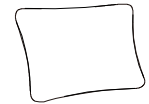
B. BACKREST x 2 PCS



C. LEGS x 4 PCS

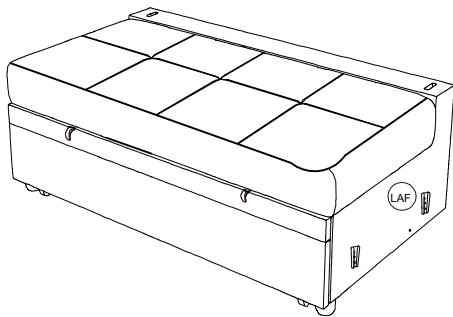


BACK CUSHION x 1 PC

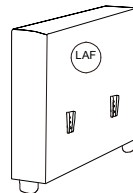


PILLOW x 1PC

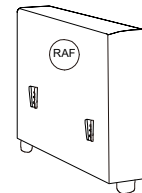
BOX-2



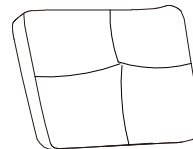
D. SOFA BASE x 1 PC



LAF ARM x 1 PC



RAF ARM x 1 PC

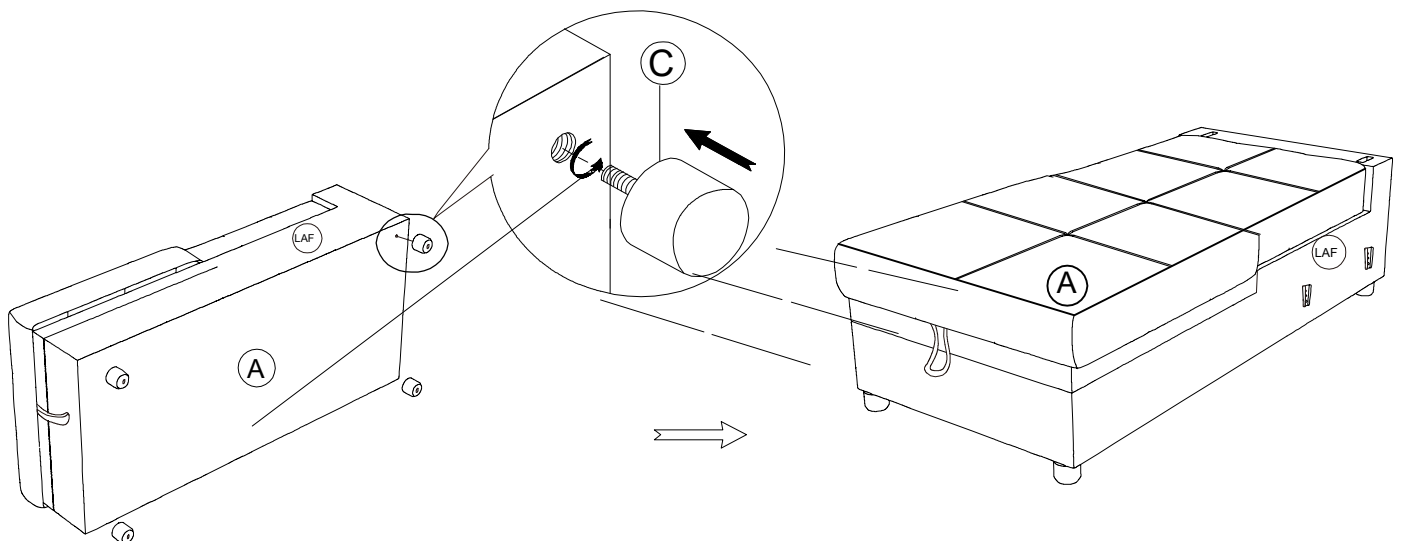


BACK CUSHION x 2 PCS

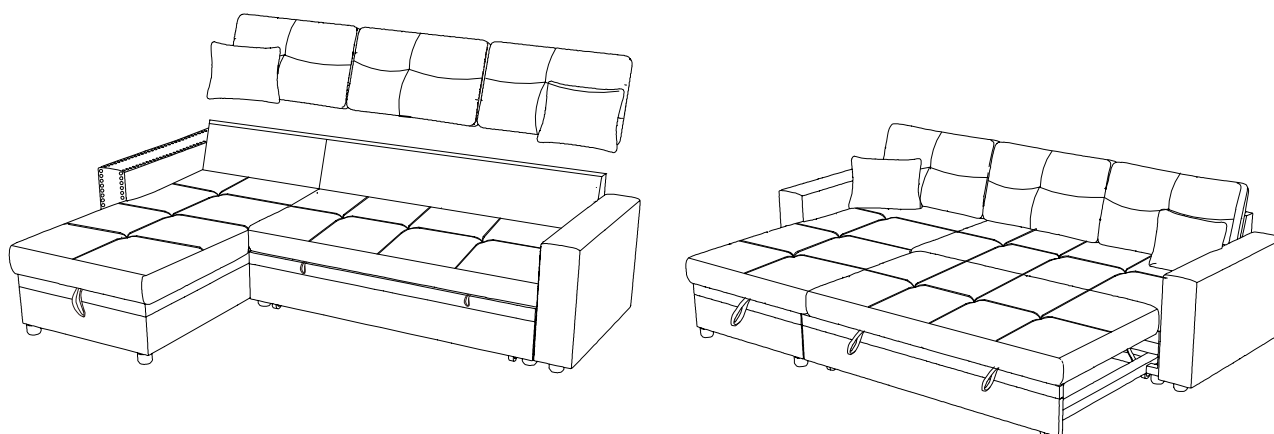
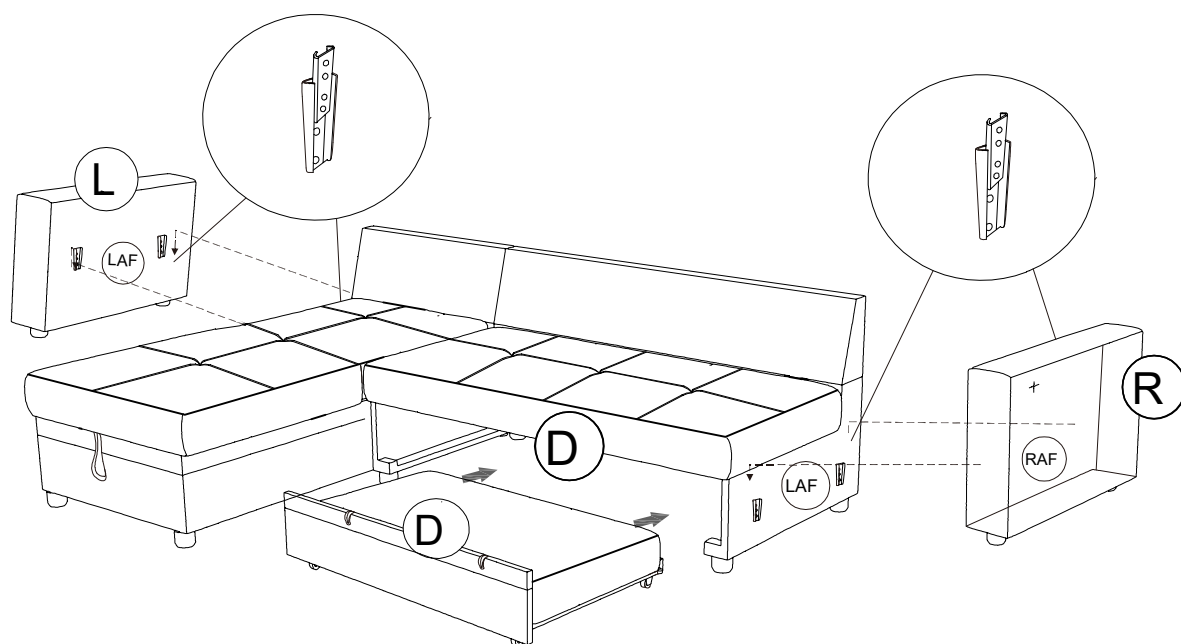
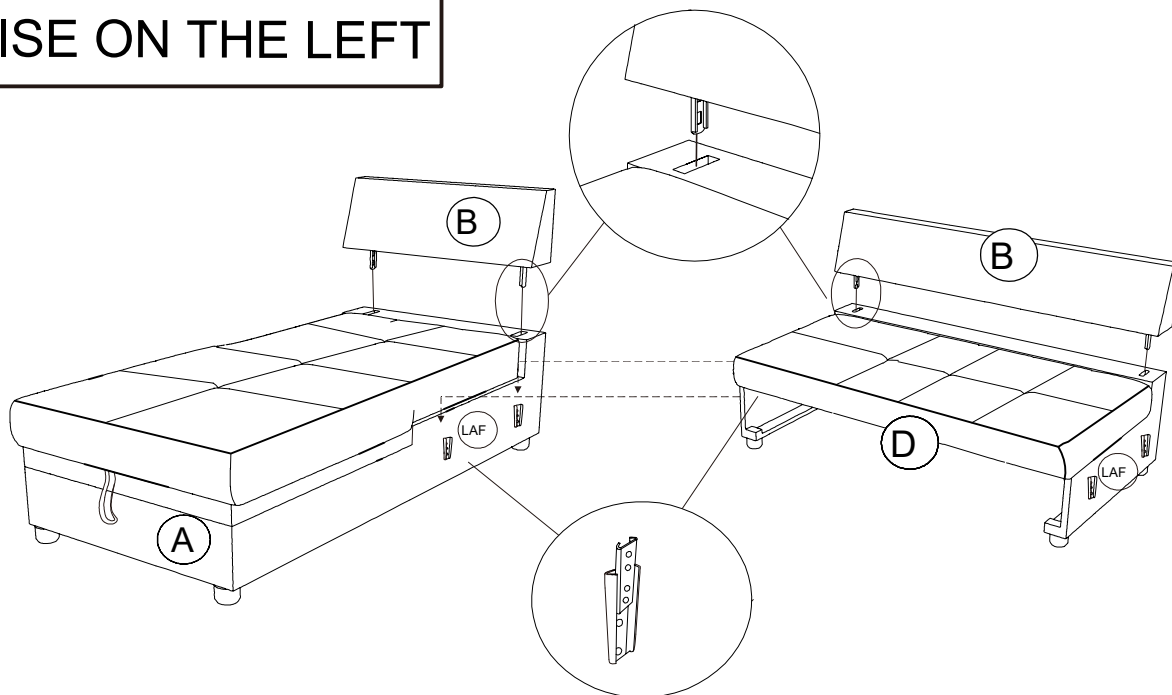


PILLOW x 1PC

INSERT (C) LEGS ON (A) CHAISE BASE.

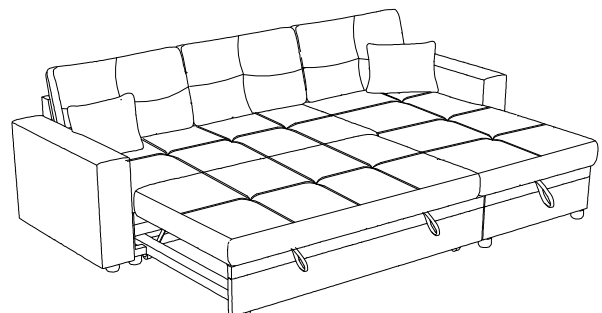
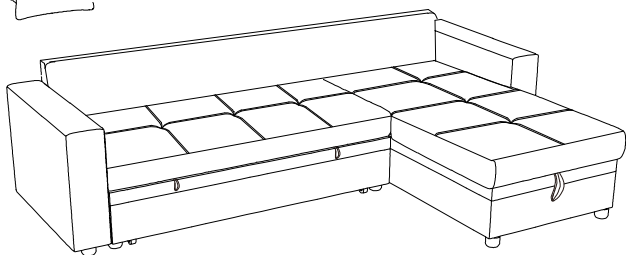
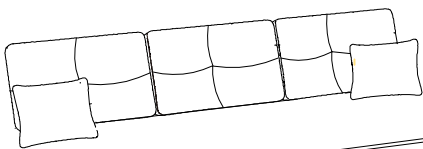
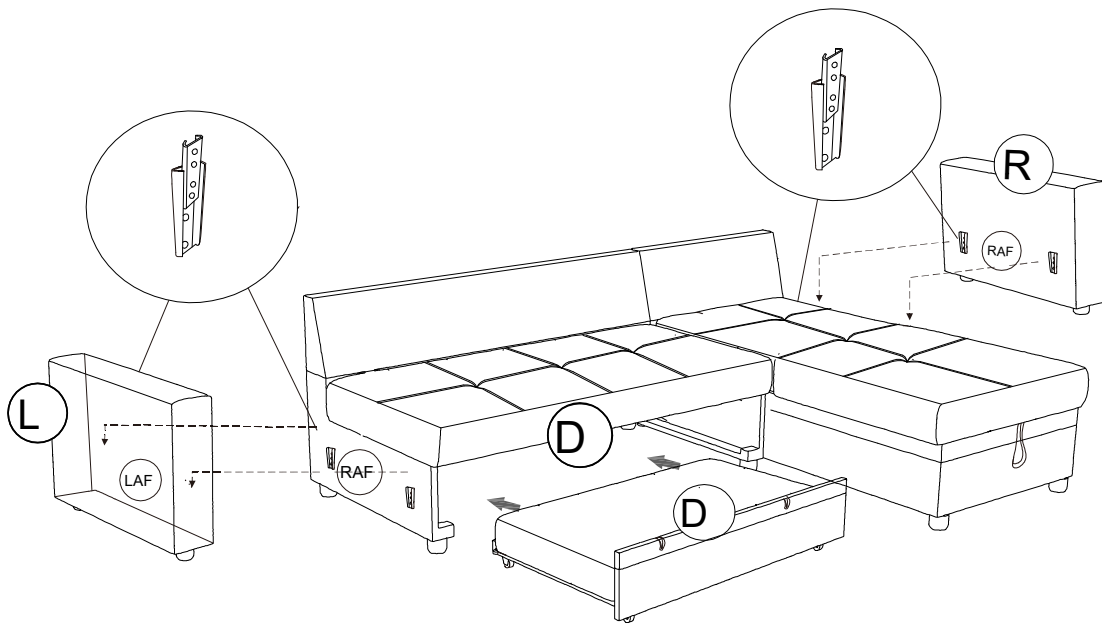
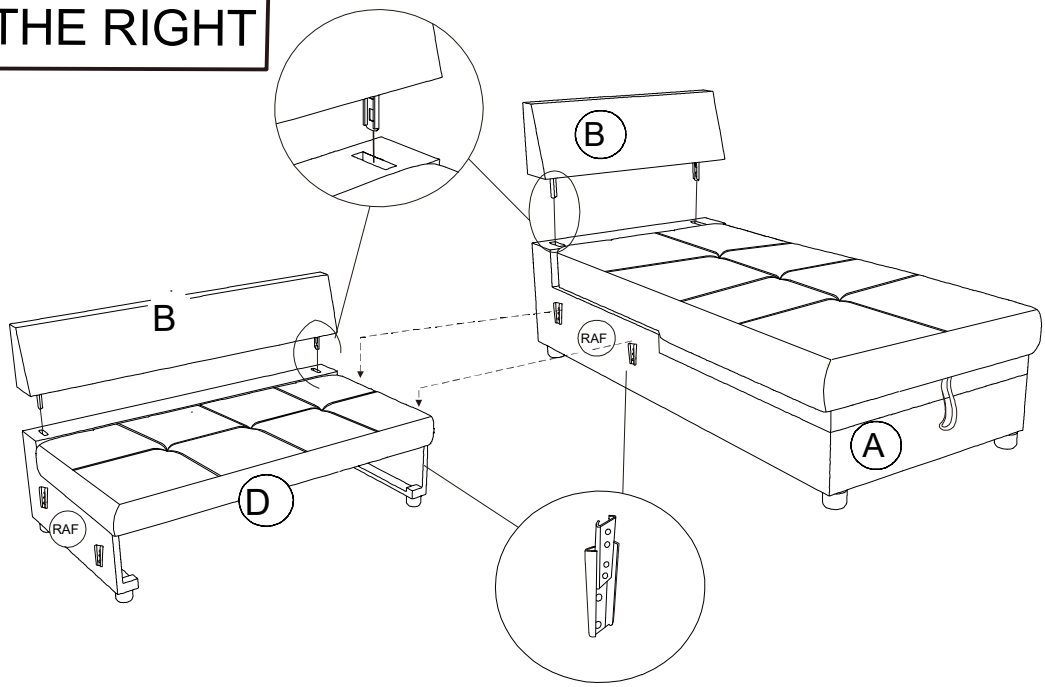


CHAISE ON THE LEFT



MAKE SURE THE BRACKETS ARE SECURED IN POSITION !

CHAISE ON THE RIGHT



MAKE SURE THE BRACKETS ARE SECURED IN POSITION !